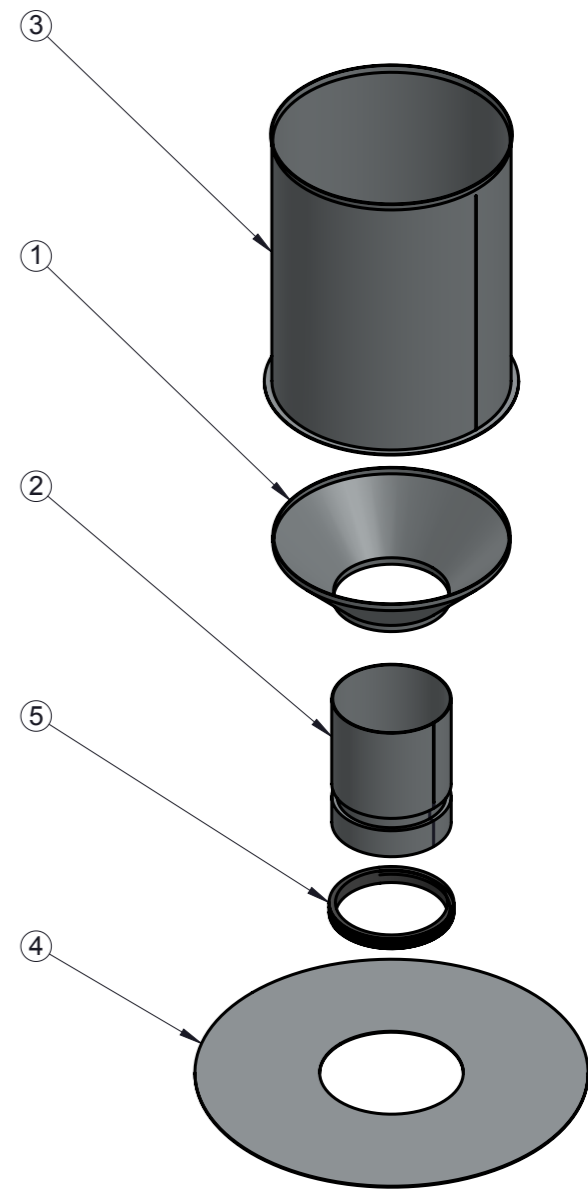
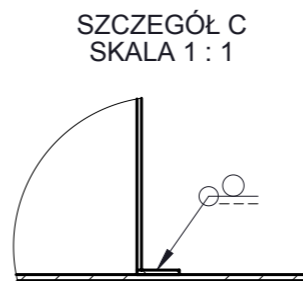
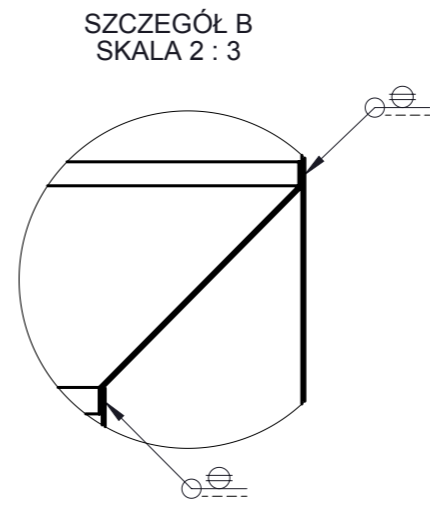
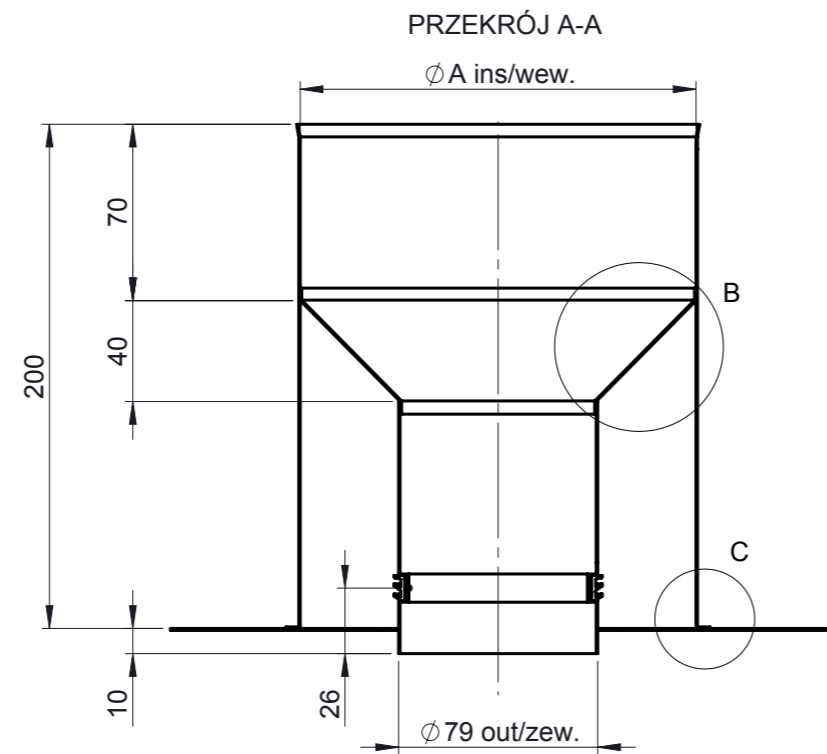
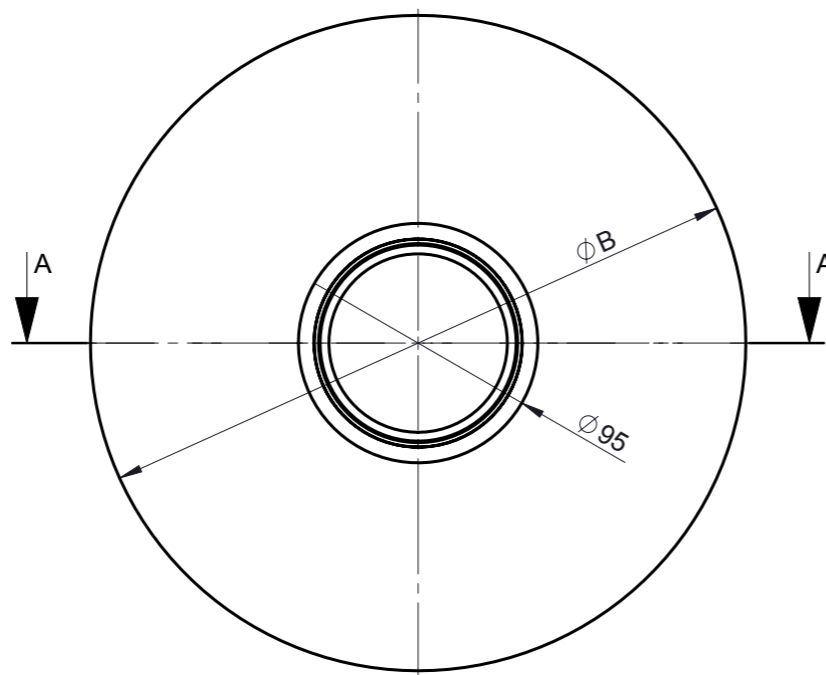
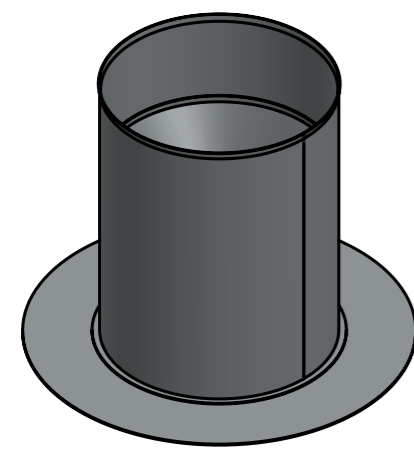


© Jeremias GmbH. All rights reserved, also regarding any disposal, exploitation, copying, distribution, as well as in the event of applications for industrial property rights.



ϕ	A	B
107	107	210
132	132	235
137	137	240
157	157	260



NO	NAME / DIN	NAV	MATERIAL	THICKNESS	QTY
5	Uszczelka	ALBI26080	Silikon	-	1
4	dekiel		1.4301 IIIC	0,8	1
3	rura zewnętrzna		1.4404 IIIC	0,6	1
2	rura wewnętrzna		1.4404 IIIC	0,6	1
1	konus		1.4404 IIIC	0,6	1

Jeremias
CHIMNEY SYSTEMS

All dimensions without tolerances are produced according to Jeremias internal tolerances

All rights reserved

Material	Description		Weight
inside/outside	/		1.03kg
drawn by	Date	Name	Format
checked by	checked by	checked by	A3
checked by	checked by	checked by	Sheet
approved by	2016-05-12	JWY	1 of 1

Description		Weight
Mufa dwiścienna z płytą		1.03kg
Code	FU 1956 $\phi A \phi B$	
Production code		
Project		
Drawing no.	Revision	Type
216 - 0794 - 00 - 2P		