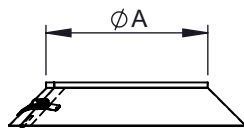
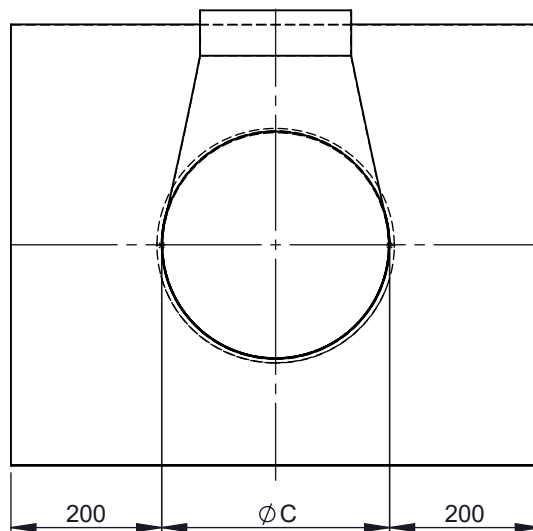
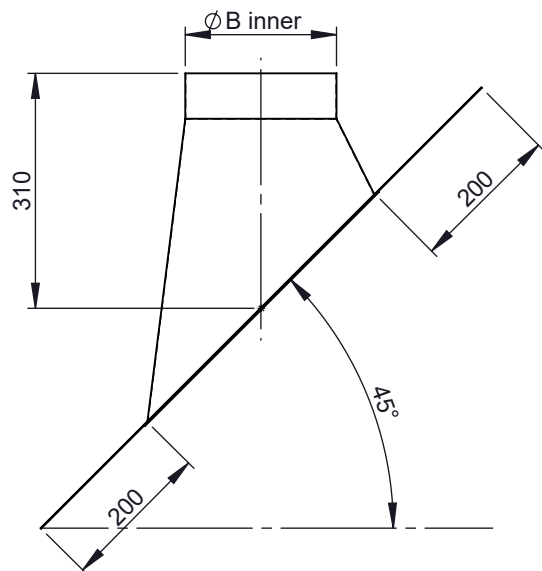


A



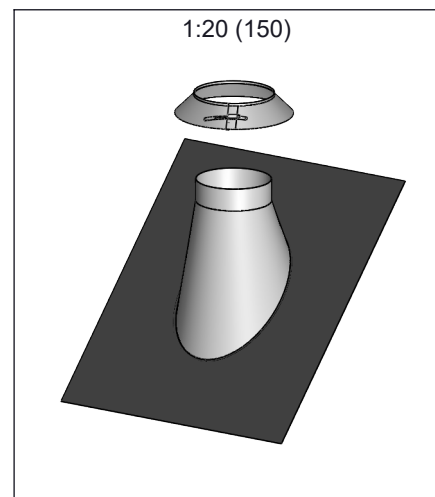
B



C

D

E



$\phi$	100/150	130/200	150/200
<b>A</b>	150	200	200
<b>B</b>	167	216	216
<b>C</b>	250	300	300
<b>kg</b>	5,5	6,3	6,3

notes:

DIN ISO 13920 Tolerances B

revisions-no.

	date	name
drawn by	20.12.19	JMA
checked by	20.12.19	SWA
approved by	20.12.19	JWY
modified by		

**Jeremias**<sup>®</sup>  
CHIMNEY SYSTEMS

description **Flashing kit 45°, incl. storm collar with edge**

code **H-TWIN 821**

drawing-no. **03-03-5348-000**

scale

1:20

format

A4

sheet

1 of 1



F