

A

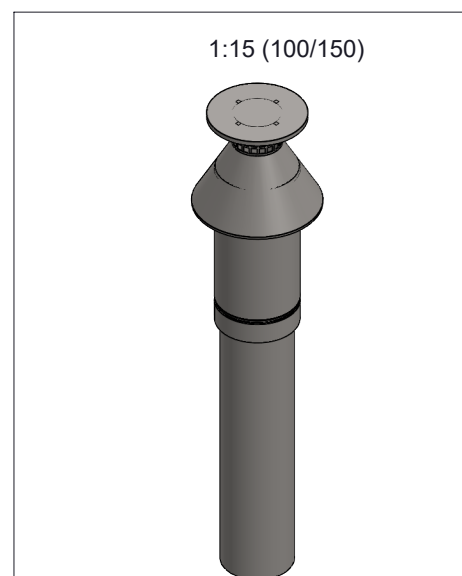
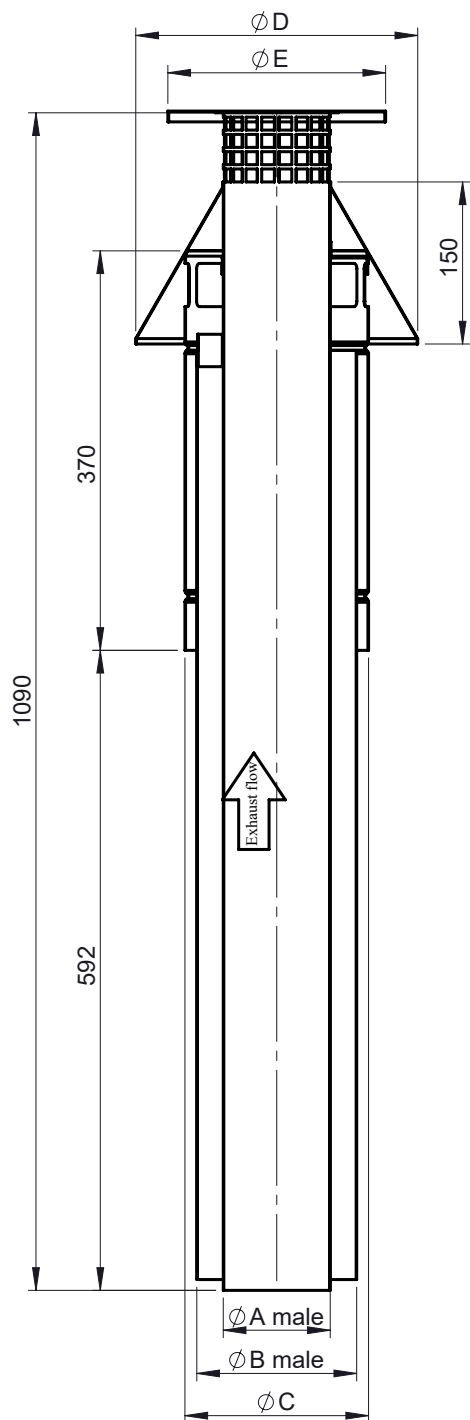
B

C

D

E

F



	\varnothing	100/150	130/200	150/200
A		100	130	150
B		150	200	200
C		170	220	220
D		260	290	290
E		200	230	230
kg		4,41	5,71	6,06

notes:

ENCD

DIN ISO 13920 Tolerances B

revisions-no.

A

mm / kg

	date	name
drawn by	03.01.20	MSA
checked by	03.01.20	SWA
approved by	03.01.20	JWY
modified by		

Jeremias[®]
CHIMNEY SYSTEMS

description End cap H-TWIN

code H-TWIN 463 \varnothing

drawing-no. 01-03-03-5225-000

scale

1:15

format

A4

sheet

1 of 1

