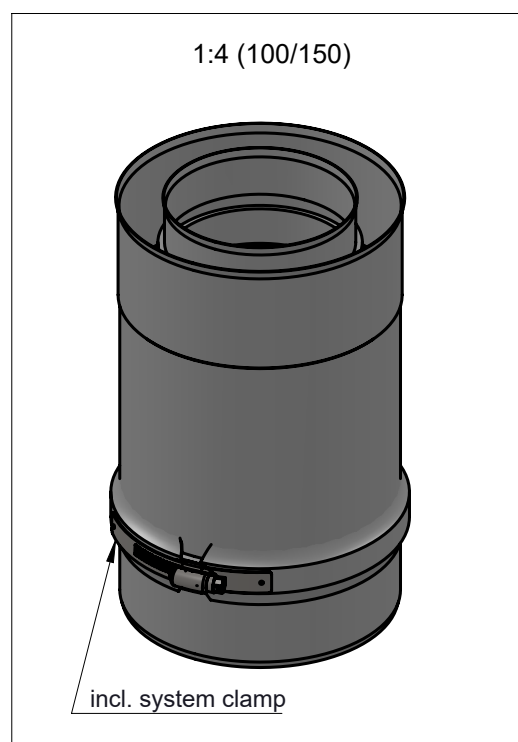
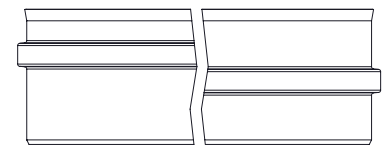



Possible type of female part "FU"



\varnothing	100/150	130/200	150/200
A	100	130	150
B	150	200	200
kg	0.9	1.1	1.2

notes: ENCD	DIN ISO 13920 Tolerances B			 Jeremias [®] CHIMNEY SYSTEMS	scale
	revisions-no.	A			1:10
	date	name	description Straight pipe element 250mm	format	
	drawn by	02.01.20 MWI		A4	
	checked by	02.01.20 SWA		sheet	
	approved by	02.01.20 JWY		1 of 1	
modified by		code	H-TWIN15 \varnothing		
		drawing-no.	01-03-03-4200-000	