

A

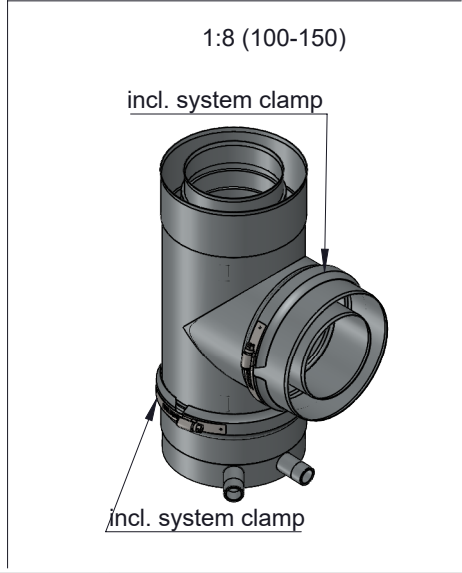
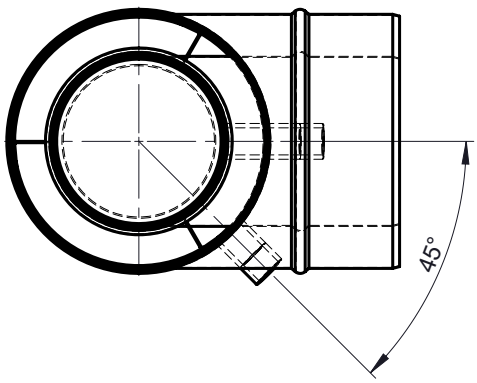
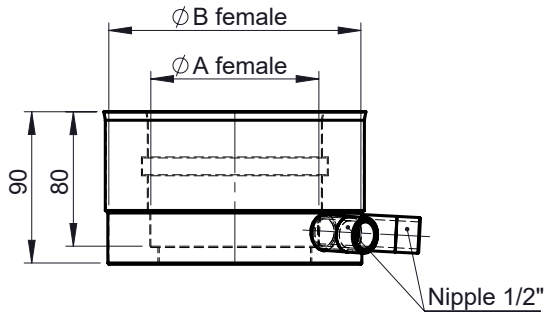
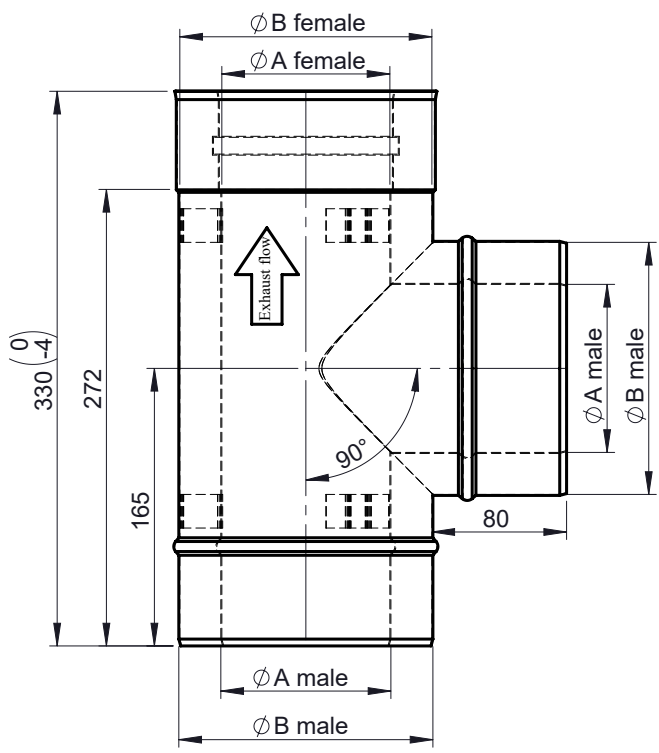
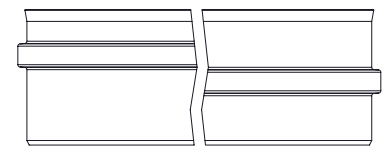
B

C

D

E

Possible type of female part "FU"



	$\varnothing$	<b>100/150</b>	<b>130/200</b>	<b>150/200</b>
	<b>A</b>	100	130	150
	<b>B</b>	150	200	200
	<b>kg</b>	2,4	3,2	3,4

notes:  
ENCD

DIN ISO 13920 Tolerances B		
revisions-no.	A	
	date	name
drawn by	20.12.19	MSA
checked by	20.12.19	SWA
approved by	20.12.19	JWY
modified by		

 <b>Jeremias</b> <sup>®</sup> CHIMNEY SYSTEMS		scale	1:8
		format	A4
description		Tee 90° with steam dish	
code		H-TWIN 11 $\varnothing$	
drawing-no.		01-03-03-2227-000	

sheet

1 of 1