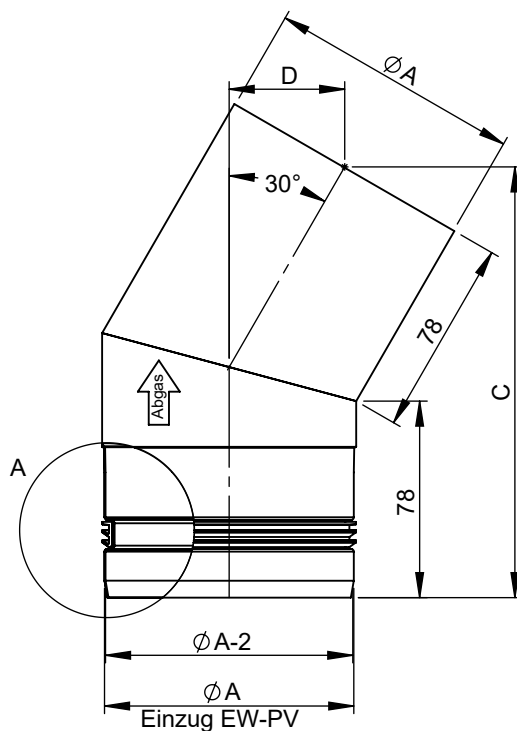


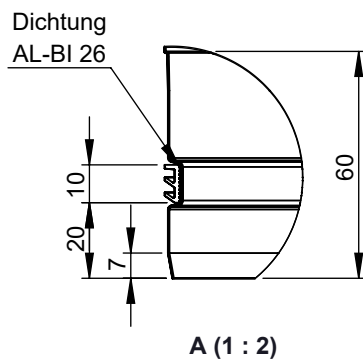
A

B

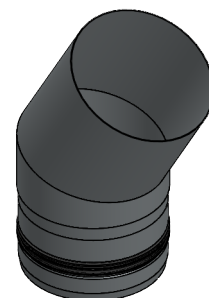
C



D



M 1:5 (Ø100)

**Oberfläche X:****15-Hitzebeständige Silikonfarbe Schwarz 702.284****25-Hitzebeständige Silikonfarbe Gussgrau 702.288**

<b>Ø</b>	<b>080</b>	<b>100</b>
<b>A</b>	80	100
<b>C</b>	166	171
<b>D</b>	44	46
<b>t</b>	0,4	
<b>kg</b>	0,15	0,19

material: inside/outside	1.4404 (316L)	surface: inside/outside	2R (3D)	DIN ISO 13920 Tolerances B			 CHIMNEY SYSTEMS	scale
				revisions-no.	mm / kg			1:3
notes:			A3	date	name	description	format	
			drawn by	24.07.2017	KAB		A4	
			checked by				sheet	
			approved by				1 of 1	
			modified by					
						code	X-EWPV017	
						drawing-no.	06-21-6050-000	

F