

A

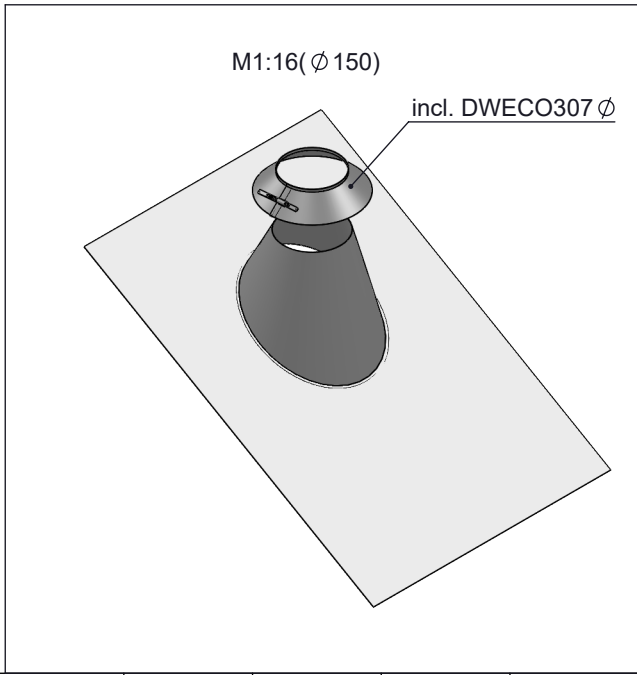
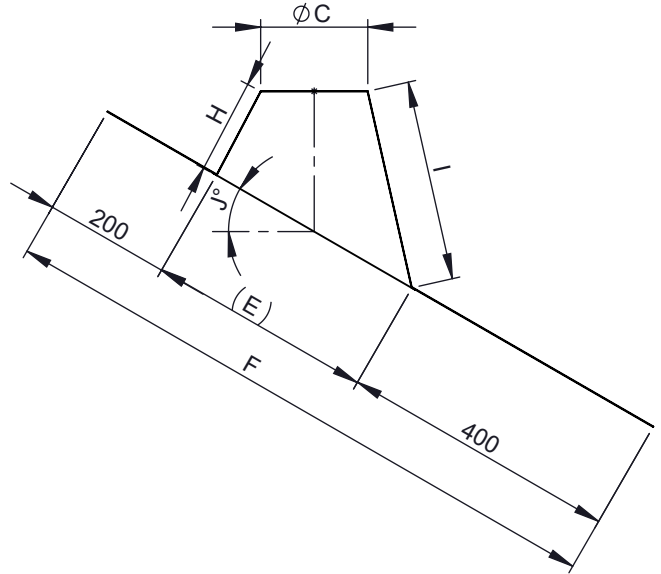
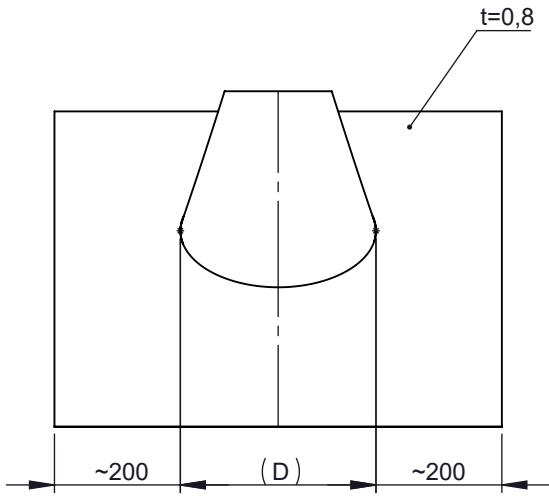
B

C

D

E

F



$\varnothing$	<b>080</b>	<b>100</b>	<b>130</b>	<b>150</b>	<b>180</b>	<b>200</b>	<b>250</b>	<b>300</b>	<b>350</b>	<b>400</b>
<b>C</b>	150	170	200	220	250	270	320	370	420	470
<b>D</b>	200	310	340	360	390	410	460	510	560	610
<b>E</b>	271	360	385	408	442	466	524	581	732	940
<b>F</b>	871	960	985	1008	1042	1066	1124	1181	1332	1540
<b>G</b>	600	710	740	760	790	810	860	910	960	1000
<b>H</b>	172	174	154	176	168	163	151	165	166	150
<b>I</b>	353	352	322	357	367	373	388	432	624	850
<b>J</b>	42	31	28	28	28	28	28	28	40	49
<b>Kg</b>	5,0	6,3	6,6	7,0	7,4	7,8	8,5	9,5	11,3	13,6

notes:

DIN ISO 13920 Tolerances B		
revisions-no.		
	date	name
drawn by	27.10.20	JAD
checked by	27.10.20	SWA
approved by	27.10.20	JWY
modified by		

**Jeremias**<sup>®</sup>  
CHIMNEY SYSTEMS

description **Flashing 21-40°**

code **DWECO485/10**

drawing-no. **07-04-5378-000**

scale	1:20
format	A4
sheet	1 of 1