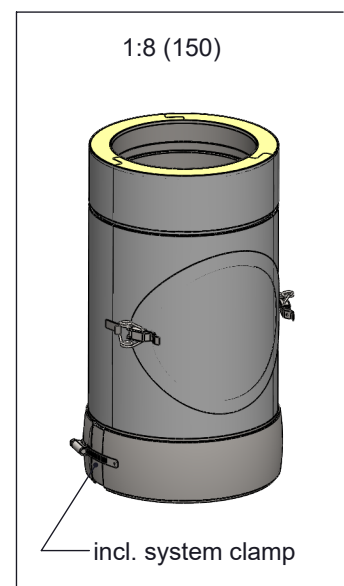
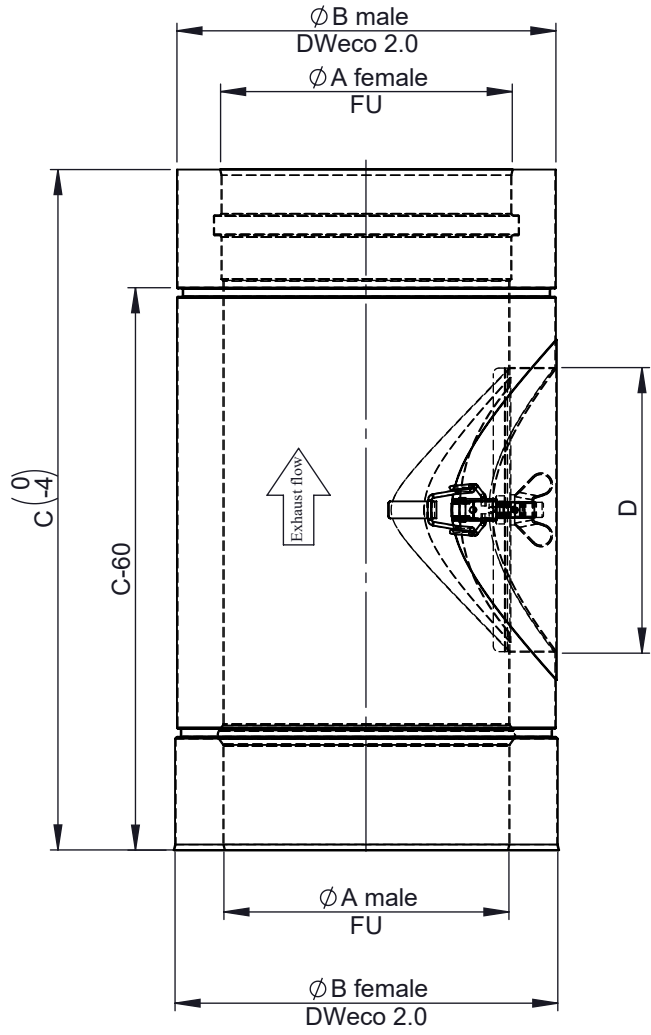
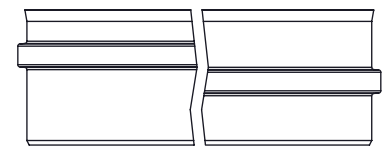


Possible type of female part "FU"



Ø	080	100	115	120	130	140	150	160	180	200	225	250	300	350	400	450	500	550	600	
A	80	100	115	120	130	140	150	160	180	200	225	250	300	350	400	450	500	550	600	
B	130	150	165	170	180	190	200	210	230	250	275	300	350	400	450	500	550	600	650	
C	330				360							400			500					
D	60	70	80		100			130					150	180	200			250		
kg	1,67	2,01	2,21	2,27	2,71	2,84	3,02	3,19	3,54	3,86	4,26	4,68	6,11	8,83	10,9	11,1	12,4	13,5	14,7	

notes:
ENCD

DIN ISO 13920 Tolerances B

revisions-no.	A		mm / kg	
date	04.11.19	name	JMA	
drawn by	04.11.19	name	SWA	
checked by	04.11.19	name	JWY	
approved by	04.11.19	name		
modified by		name		



description	Straight pipe element with inspection opening	
code	215-DWECO68	
drawing-no.	02-35-1650-000	

scale	1:20
format	A4
sheet	1 of 1