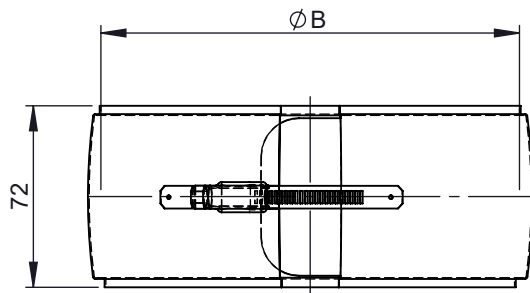
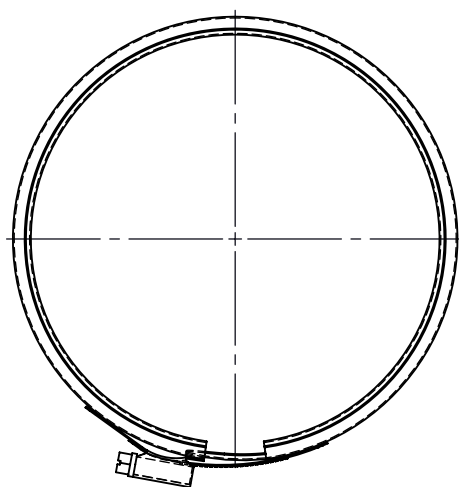


A



B

C



D

E

ZUAC989  $\phi$  = DWECO989  $\phi$  A

$\phi$  - nominal diameter DWA

$\phi$  A - nominal diameter DWI



1:4 (Ø150)

Ø	130	150	160	165	170	180	190	200	210	215	230	250	265	280	300	350	400	450	500	550	600	650
A	080	100	110	115	120	130	140	150	160	165	180	200	215	230	250	300	350	400	450	500	550	600
B	130	150	160	165	170	180	190	200	210	215	230	250	265	280	300	350	400	450	500	550	600	650
kg	0,2											0,3		0,4	0,5	0,6						

notes:

ENCD

DIN ISO 13920 Tolerances B

revisions-no.

A1

mm / kg

**Jeremias**<sup>®</sup>  
CHIMNEY SYSTEMS

scale

1:4

format

A4

sheet

1 of 1

F

	date	name
drawn by	22.10.19	MSA
checked by	22.10.19	SWA
approved by	22.10.19	JWY
modified by		

description locking band

code ZUAC989  $\phi$

drawing-no.

01-07-06-9005-000

