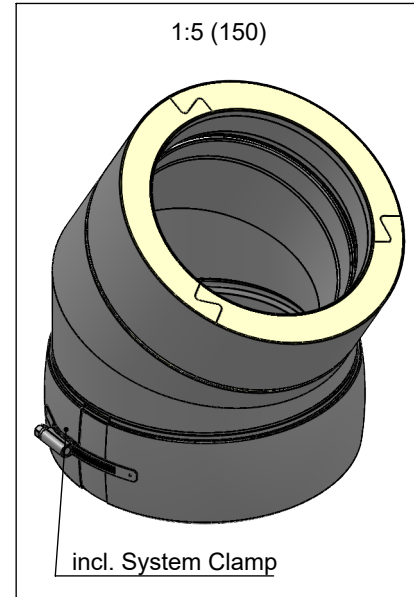
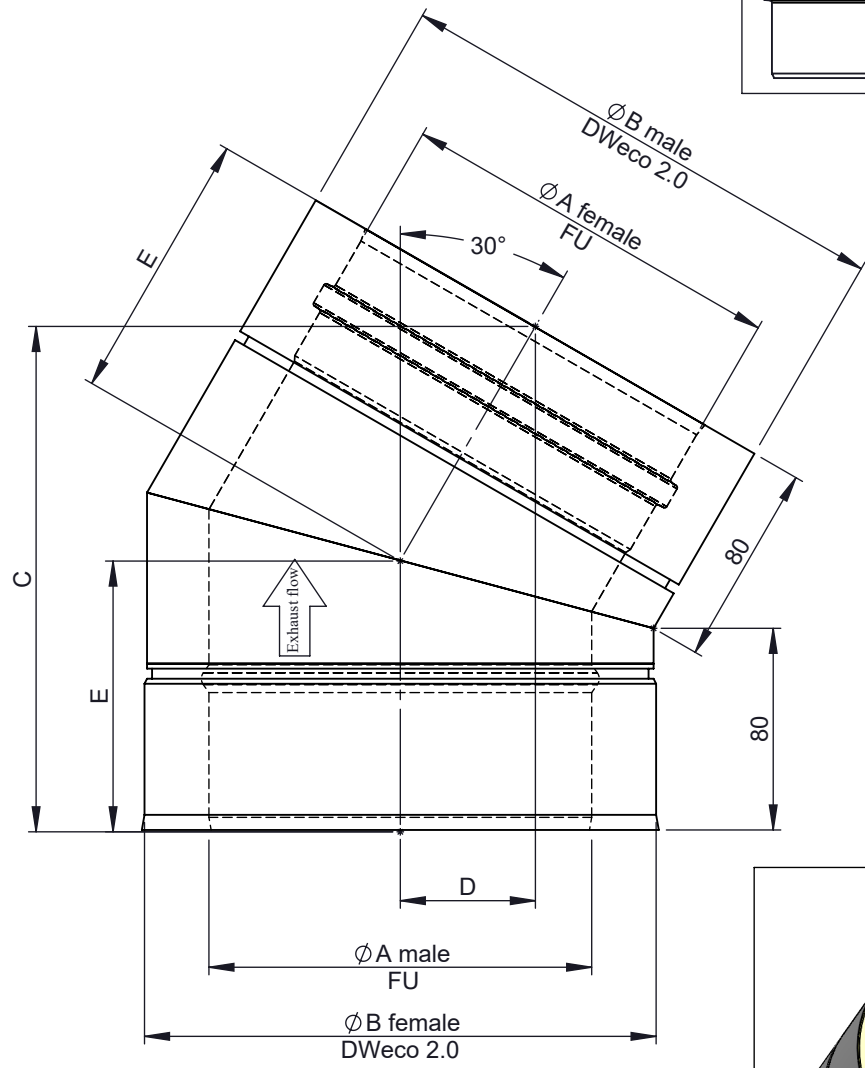
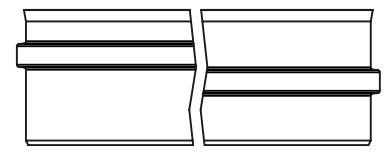


Possible type of female part "FU"



Ø	80	100	115	120	130	140	150	160	180	200	225	250	300	350	400	450	500	550	600
A	80	100	115	120	130	140	150	160	180	200	225	250	300	350	400	450	500	550	600
B	130	150	165	170	180	190	200	210	230	250	275	300	350	400	450	500	550	600	650
C	132	137	141	142	144	147	149	152	157	162	168	174	187	199	212	224	237	249	262
D	20	21	22	22	23	24	24	25	26	28	29	31	35	38	41	45	48	51	55
E	98	100	102	103	104	106	107	108	111	114	117	120	127	134	140	147	154	161	167
kg	0,8	0,97	1,09	1,13	1,22	1,31	1,4	1,5	1,69	1,89	2,15	2,42	3	3,62	4,28	5	5,75	6,55	7,39

notes:
ENCD

DIN ISO 13920 Tolerances B		
revisions-no.	A1	
	mm / kg	
date	name	
drawn by	25.10.19	JMA
checked by	25.10.19	SWA
approved by	25.10.19	JMA
modified by		

Jeremias[®]
CHIMNEY SYSTEMS

description **Elbow 30°**

code **215-DWECO17**

drawing-no. **01-02-35-6050-205**

scale
1:3

format
A4

sheet
1 of 1