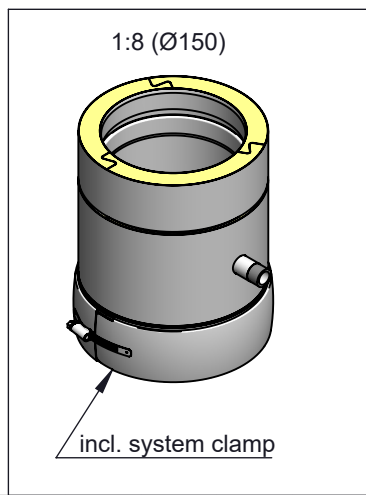
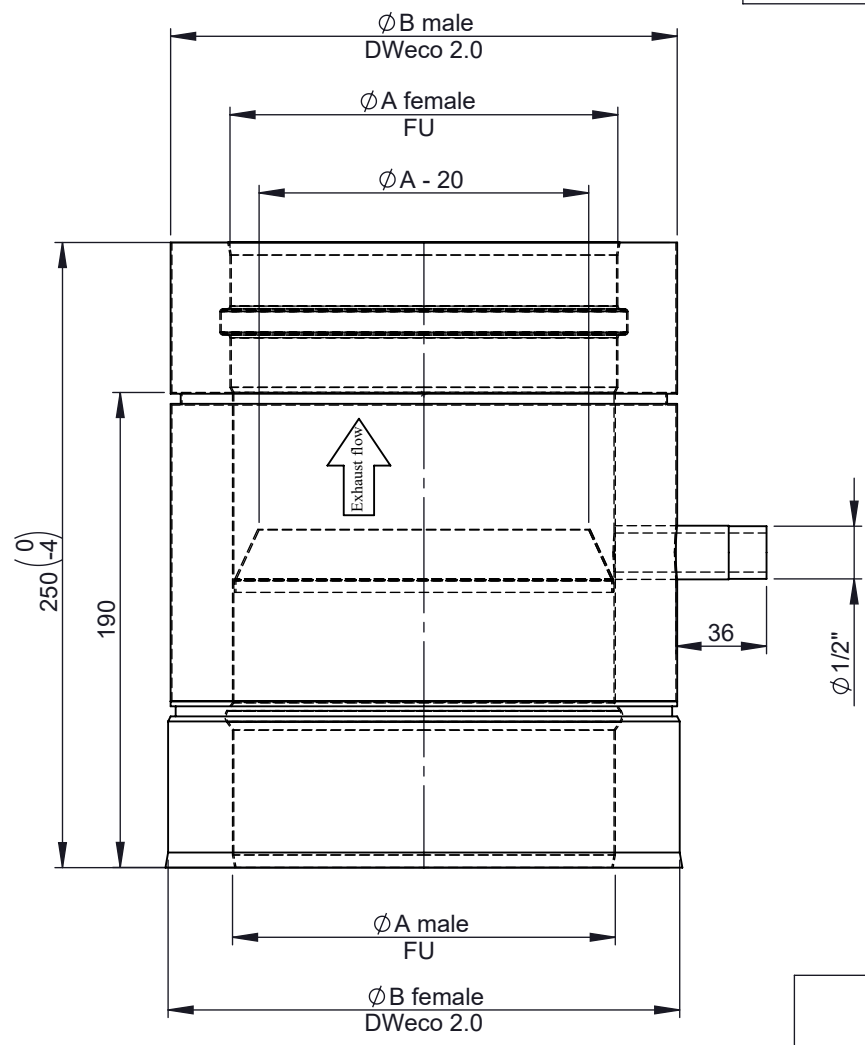
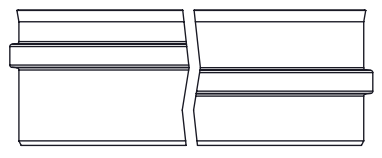


Possible type of female part "FU"



Ø	80	100	115	120	130	150	160	180	200	225	250	300	350	400	450	500	550	600
A	80	100	115	120	130	150	160	180	200	225	250	300	350	400	450	500	550	600
B	130	150	165	170	180	200	210	230	250	275	300	350	400	450	500	550	600	650
kg	1,1	1,3	1,4	1,5	1,6	1,8	1,9	2,1	2,2	2,5	2,7	3,2	3,7	4,1	4,6	5,1	5,5	6

notes:
ENCD

DIN ISO 13920 Tolerances B		
revisions-no.	A2	
	mm / kg	
date	name	
drawn by	04.10.19	JMA
checked by	04.10.19	SWA
approved by	04.10.19	JWY
modified by		

Jeremias[®]
CHIMNEY SYSTEMS

description: Pipe element +cond. coll. for hor./vert. mount.+ 1/2" nozzle

code: 215-DWECO1494

drawing-no.: 01-02-35-4227-205

scale	1:5
format	A4
sheet	1 of 1