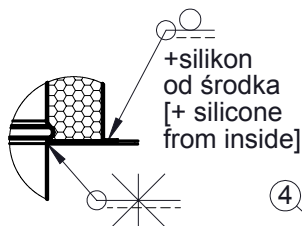
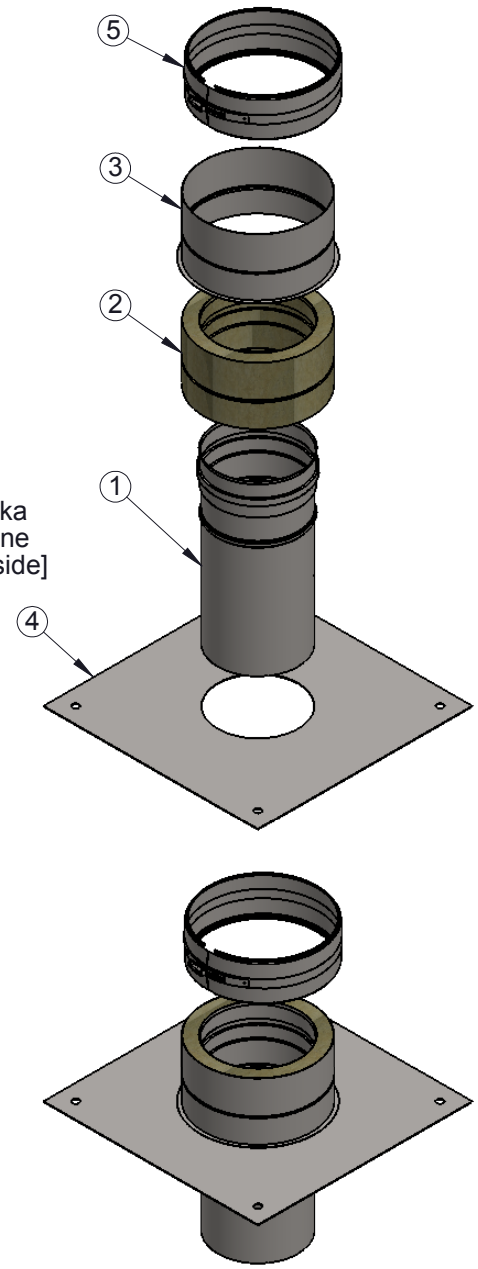
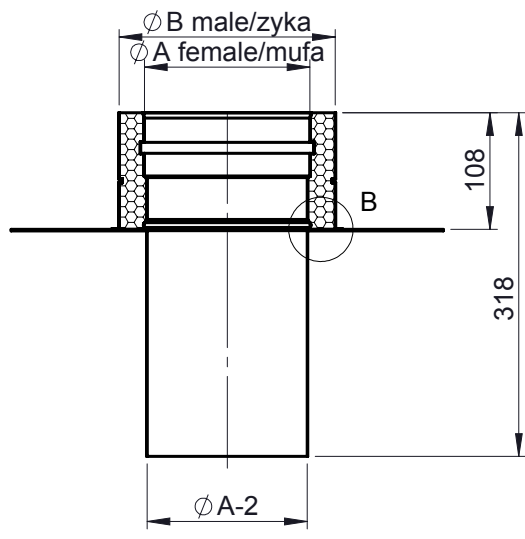


DETAIL B  
SCALE 2 : 7



SECTION A-A  
SCALE 1 : 7



Ø	080	100	110	115	120	130	140	150	160	180	200	225	250	300	350	400	450	500	550	600
A	80	100	110	115	120	130	140	150	160	180	200	225	250	300	350	400	450	500	550	600
B	130	150	160	165	170	180	190	200	210	230	250	275	300	350	400	450	500	550	600	650
C	400													450	500	550	600	650	700	750
t	1,5													2,0						

5	DWeco2.0 989 Ø A	-	-	-
4	plyta [plate]	1.4509 IIID	t	1
3	DWA rura [DWA pipe]	1.4301 IIID	0,5	1
2	ISO rura [ISO pipe]	welna mineralna 120kg/m3	-	1
1	DWI rura [DWI pipe]	1.4404 IIIC	0,5	1
NO	NAME / GEO / DIN / NAV	MATERIAL	THICKNESS	QTY

ML

<p>All dimensions without tolerances are produced according to Jeremias internal tolerances</p> <p>All rights reserved</p>	Material inside/outside		/		Description			Weight	
	Date		Name		Płyta podwyższenia komina [support plate for chimney raise]			kg	
	drawn by	2014-11-04	PSA		Code			Format	
	checked by	2014-11-04			Production code			A4	
	checked by				Project			Sheet	
approved by		2014-11-04	JWY		Drawing no.		Revision	Type	1 of 1
				214 - 2104		- 00	- 2P		

© Jeremias GmbH. All rights reserved, also regarding any disposal, exploitation, distribution, as well as in the event of applications for industrial property rights.